



City of Milford

General Administration
831-4192
248-5096 FAX

745 Center Street, Suite 200, Milford, Ohio 45150

www.milfordohio.org

Application for Design Review

Name(s) of Applicant: Forager Coffee+Tea / Carol Eichert

Address: 122 MAIN ST, UNIT A
MILFORD 45150

Telephone Number: 513.309.4439

Name(s) of Owner: ~~Della~~ DakTree Enterprises (Dave + Carol Eichert)
(if different from applicant)

Owner's Address: 4507 Mc Keever Pike
Williamsburg OH 45176

Zoning District: _____ Property Size (sq. ft or acres): ~1700 sq. ft.
(Unit A)

Type of Improvement: New Construction Addition
 Façade Parking (Sign)
 Exterior Colors

Items Submitted: Project Description Picture(s) of Existing Building
 Site Plan Building Plans
 Architectural Rendering Material Sample(s)
 Color Sample(s)

(Office Use)
Application Checked _____

Date _____



forager
COFFEE+TEA

122



B

122

A

foraker central

Forager Coffee + Tea: Materials and Colors

Materials:

Façade/Sign: Hardie Board (sample included) and Natural Wood

Door: Wood/Glass

Windows: Aluminum Clad/Wood/Insulated Low E Glass/Bifold

Colors (Color Palatte Included):

Main Façade Color: #53524F

Secondary Color (behind lettering): #E7E0D8

Lettering Color: #E53524F/#806256

Lettering for Signage on Building:

forager
COFFEE + TEA

foräger

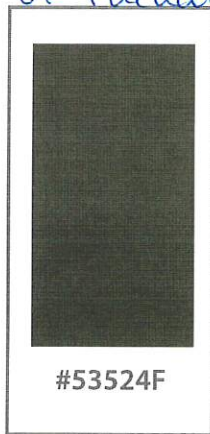
COFFEE + TEA

COLOR PALETTE



#333333

*Main Color
of facade*

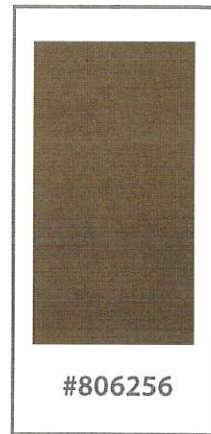


#53524F

PRIMARY

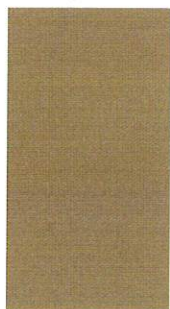


#51423D



#806256

PRIMARY



#A67F5F



#C4AE96

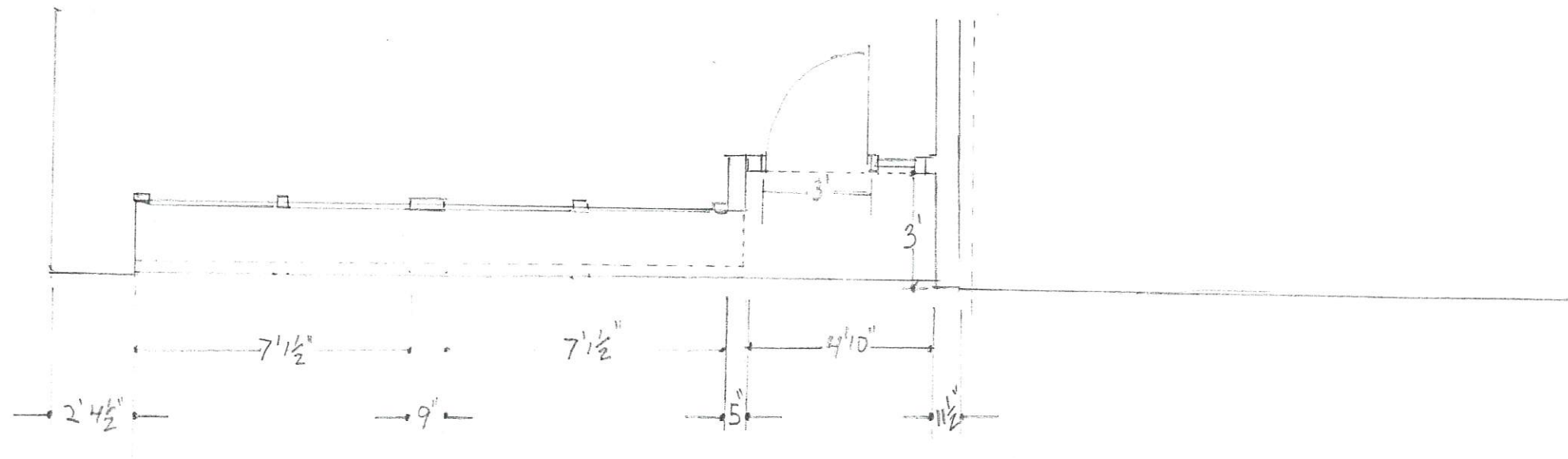


#E7E0D8



#F5F3ED

forager coffee + tea
122 Main Street, Milford OH



Scale 1/4" = 1' 0"